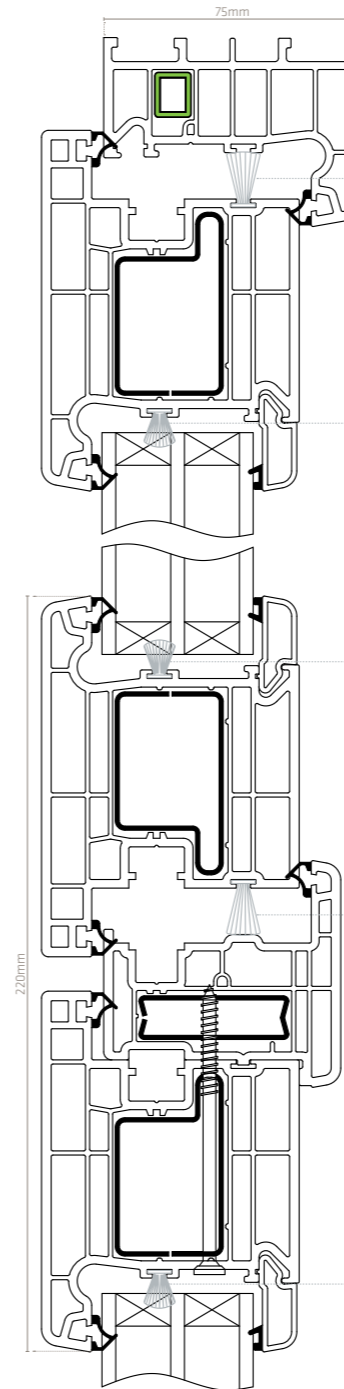


modus® Technical information French doors



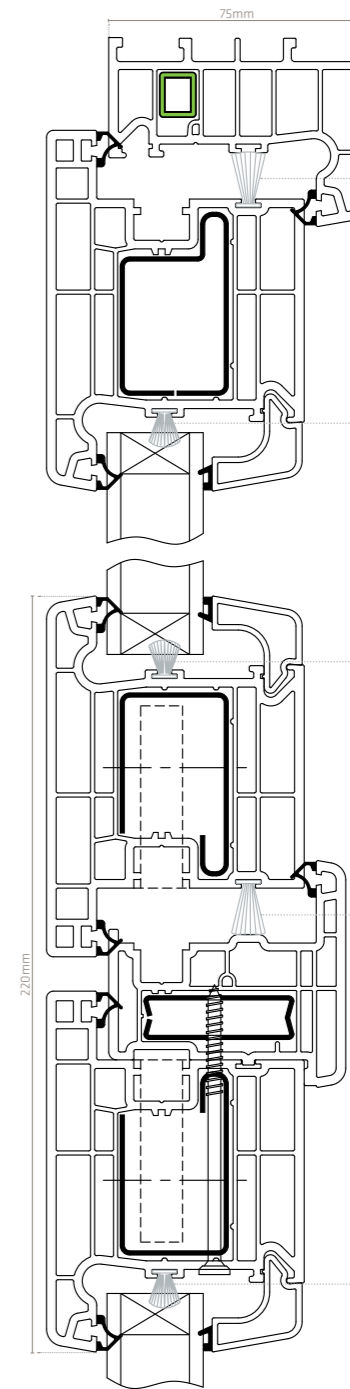
French doors Triple-glazed



OPTIONAL
Third seals are an optional component

OPTIONAL
Third seals are an optional component

French doors Double-glazed



OPTIONAL
Third seals are an optional component

OPTIONAL
Third seals are an optional component

These stunning modus French doors feature sleek, flat faces and authentic timber aesthetics

modus French doors feature sleek, flat faces for sophisticated looks. A dedicated mullion with a slim rebate improves sightlines, whilst an option of an additional third seal to improve weather performance is also available. Maximum thermal performance can be achieved with a triple-glazed specification, offering U-values as low as 0.8.

Min / max sizes	Width (mm)	Height (mm)
French doors	Min: 1200 Max: 2000	Min: 1800 Max: 2300

Config	Glass 1 (external)	Glass 2 (internal)	Glass 3 (internal)	Gas fill	Spacer bar	Reinforcing	WER	Energy index	U value
4/16/4/16/4	Diamant	Planitherm One	Planitherm One	Argon	SwisSpacer Ultimate	Full Thermal	B	-3	0.78
4/16/4/16/4	Optiwhite	Pilkington KS	Pilkington KS	Argon	SwisSpacer Ultimate	Full Thermal	A++	22	0.85
4/20/4	Optiwhite	N/A	Pilkington KS	Argon	SuperSpacer Premium	Full	A	8	1.2
4/20/4	Diamant	N/A	Planitherm One	Argon	SuperSpacer Premium	Full	C	-13	1.2

Contact our Technical department for additional performance specifications