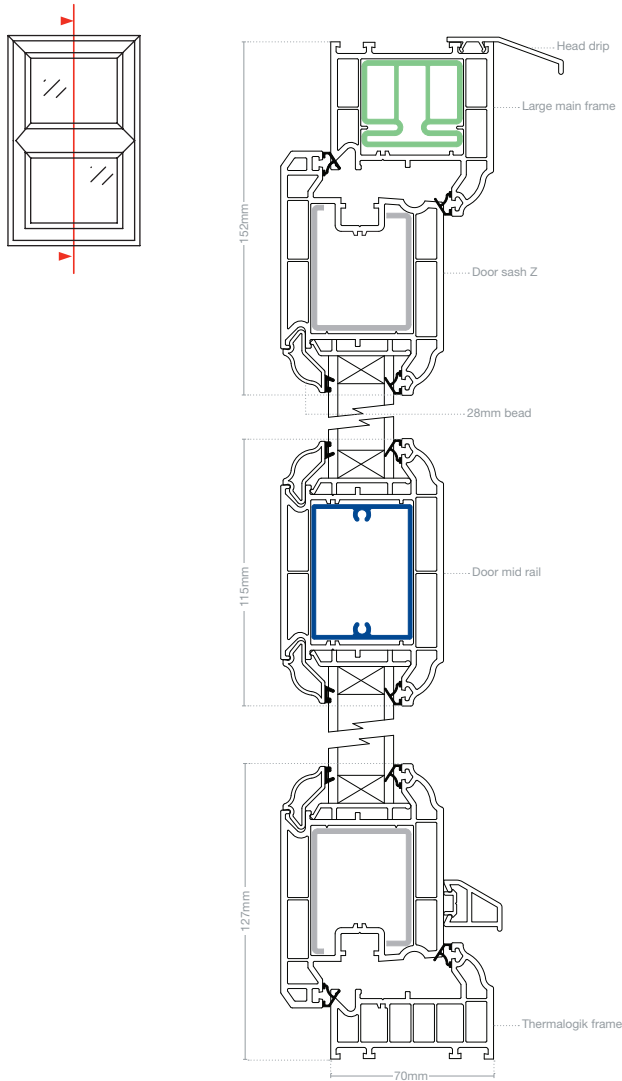


Product specification Logik residential doors



LOGIK RESIDENTIAL DOORS DOUBLE GLAZED INWARD OPENING, INTERNALLY GLAZED

Profiles

- Eurocell **logik** 70mm system
- Large with slim outer frame threshold

Reinforcements

- PVC-U Thermal Inserts
- Steel and Aluminium

Cill options

Standard: 85mm (130mm*), 150mm (195mm*) and 180mm (225mm*)

* When used with cill extender

Accreditations

- Eurocell **logik** profile system is BBA certified
- BS EN 12608, PAS 23 /24

Style



Ovolo



Chamfered

Thermal performance

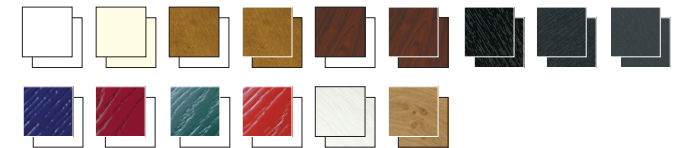
**U-VALUES
AS LOW AS**

1.4

DOUBLE GLAZED

Colour options

Standard colours



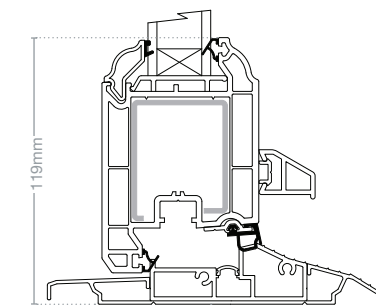
* White Ash and Irish Oak available in Ovolo styles only. Anthracite Grey and Slate Grey available in Chamfered only

Min / max sizes

If the doors are to be manufactured are outside these sizes, please consult Eurocell's technical department.

System	Width (mm)	Height (mm)
Residential doors (outer to outer)	Max: 1000 Min: 800	Max: 2300 Min: 1800

Low threshold available



Low threshold assembly EWS 7545A and EWS 7546A